



FEATURES 功能叙述

k1(P20): L/U/R (青蛙三声+MIDI1、MIDI2)、(青蛙三声+MIDI3、MIDI4) 循环播放

k2(P21): L/U/R: (狗叫三声+MIDI5、MIDI6)、(狗叫三声+MIDI7、MIDI8) 循环播放

k3(P22): L/U/R, (电话三声+MIDI1)、(电话三声+MIDI2) …八首循环播放

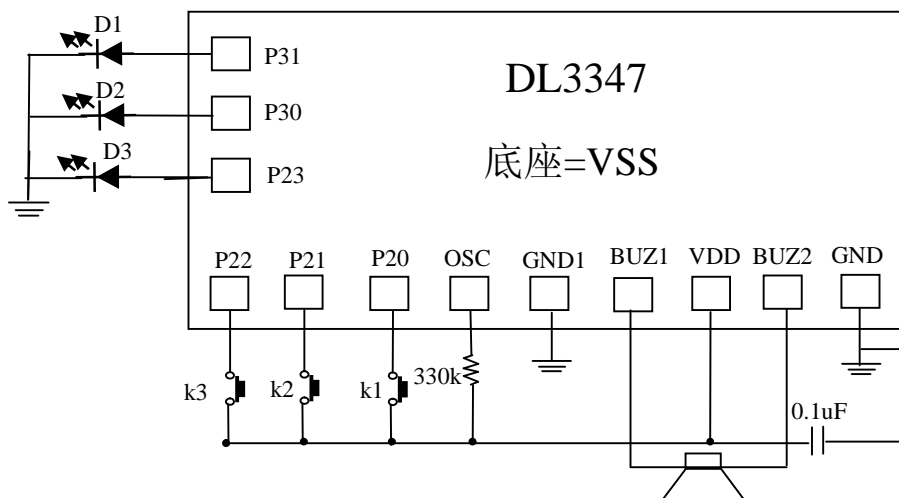
有声 D1-D2, 互闪, D3 电机有效

ELECTRIAL CHARACTERISTICS

(All voltage referenced to GND, Ambient temperature=25°C)

Parameters	Symbol	Condition	Min.	Typ.	Max.	Unit
Operation Voltage	V _{DD}		2.4	3.0	5.1	V
Stand-by Current	I _{SB}	VDD = 3V. No load			1.0	μA
Operation Current	I _{DD}	VDD = 3V. No load			250	μA
Input Current of P2, P3	I _I	VDD = 3V		5.0		μA
Drive Current of P2, P3	I _{OD}	VDD = 3V, V _O = 2.4V	1.5	2	-	mA
Sink Current of P2, P3	I _{OS}	VDD = 3V, V _O = 0.4V	2.0	3	-	mA
PWM Output Current	I _{PWM}	VDD = 3V, V _O = 1.5V		50		mA
Oscillator Freq.	F _{OSC}	VDD = 3V		1.0		MHz

APPLICATION DIAGRAM 参考电路图



以上规格及电路图仅供参考, 本公司得迳行修改